

WATERPROOF 4-CHANNEL MARINE RECEIVER WITH BLUETOOTH AND VIDEO INPUT

Model: MH450 User Manual



Thank you for purchasing the Dayton Audio® MH450 Waterproof 4-Channel Marine Receiver!

WARNING!

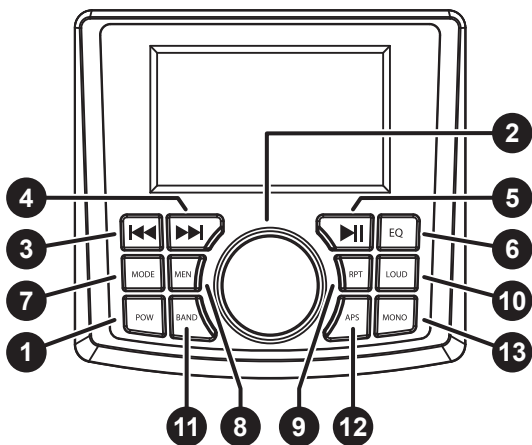
Before installing this unit onto any panel, ALWAYS ensure that there is sufficient clearance behind the panel, and that no wire harnesses, fuel lines, moving linkages or any other critical components are exposed and damaged by the installation. NEVER risk damaging the hull when cutting your opening.

INSTALLATION

This unit is for use in places with a negative ground 12V power supply.

Before starting: Read these instructions carefully. Be sure to disconnect the battery "-" terminal before starting. This is to prevent short circuits during installation. The use of unauthorized parts can cause permanent damage to the unit.

BASIC OPERATION



FEATURES

1. Power

Press the Power button once to turn on the unit. Press and hold the Power button for two second to turn the unit off.

2. Volume Up/Volume Down

Rotate the button clockwise to turn the volume up. Rotate the button counterclockwise to turn the volume down.

3. Previous

Hold down the Prev button. ◀◀

4. Next

Hold down the Next button. ▶▶

5. Pause/Play

Press Play/Pause once.

6. EQ

Short press EQ.

7. Mode

Press Mode button to switch between FM/Bluetooth/USB/AUX IN.

8. Menu

Short press Menu button to view the menu.

9. Repeat

Short press REPEAT ON/OFF.

10. Loud

Short press LOUD ON/OFF.

11. Band

Band switching: FM1-FM2-FM3-AM1-AM2.

12. APS

Press APS button to alternate between radio preset stations.

13. MONO

Short press MONO ON/OFF.

RADIO FM/AM OPERATION

Press the BAND button to switch between FM and AM.

FM Source:

Function:

Seek Next: Press the APS button once.

Tune Next: Hold ►► button for 1 second. Then press ►► once.

Tune Prev: Hold ◀◀ button for 1 second. Then press ◀◀ once.

AM Source:

Function:

Seek Next: Press the APS button once.

Tune Next: Hold ►► button for 1 second. Then press ►► once.

Tune Prev: Hold ◀◀ button for 1 second. Then press ◀◀ once.

Presets:

Press and hold the APS button. Choose the station you wish to make the preset by pressing ►► or ◀◀. To navigate to the station manually, press ►► then use the knob to select the proper frequency.

USB/MP3 OPERATION

Insert a USB stick, the unit will read the music files or videos in the USB stick automatically.

Function:

Next Track: Press the ►► button once.

Previous Track: Press the ◀◀ button once.

Fast Forward: Hold ►► button.

Rewind: Hold ◀◀ button.

Pause: Press the Play/Pause button.

BLUETOOTH OPERATION

This unit supports Bluetooth for wireless music streaming from your Bluetooth-enabled device.

Connecting steps are as follows:

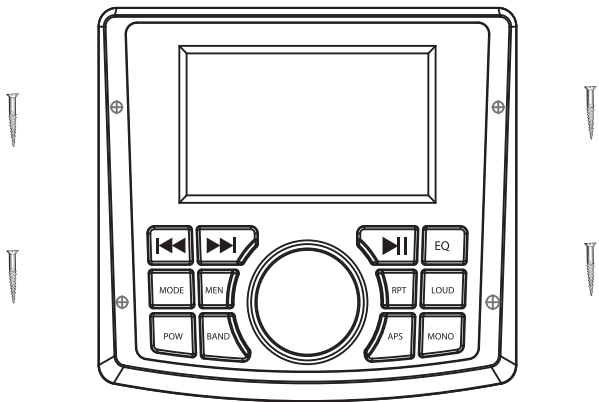
- Press Mode button to switch to the "BT PLAY" mode.
- Turn on the Bluetooth on your Bluetooth device.
- Scan for the unit (Bluetooth name: Marine Audio) by using your Bluetooth device.
- Select the unit (Bluetooth name: Marine Audio), the connection then will be made automatically.

Once the unit has a connection with your Bluetooth device for the first time, then the unit can connect with your Bluetooth device automatically within valid range ever since.

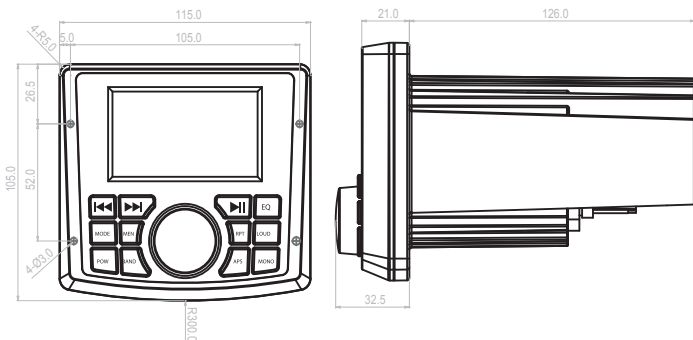
The unit supports audio display only.

INSTALLING

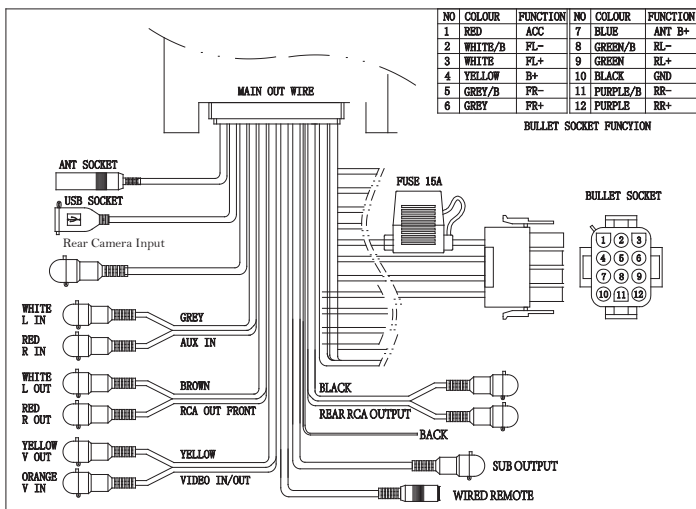
Firmly tighten remaining four screws on the front panel.



DIMENSIONS



CONNECTION DIAGRAM



TROUBLESHOOTING

Problem	Cause	Solution
No power	1.Incorrect wiring 2.Fuse is blown	1.Re-check wiring 2.Replace fuse
No sound	1.Volume is too low 2.Speaker connection loose or wired incorrectly 3.Ouput blown	1.Increase volume 2.Double check connection and re-attach 3.Send unit in for repair
No reception	1.The antenna cable is not connected 2.The signals are too weak	1.Insert the antenna cable securely 2.Select a station manually
USB stick not reading	1.Music file is neither MP3 nor WMA format	1.Convert music file format into MP3 or WMA format
AUX input or RCA output distortion	1.Volume may be up too much on external device	1.Lower volume on external device until distortion goes away
Media device does not work through USB jack	1.USB input only reads USB sticks	1.Play media device through auxiliary input

5-Year Limited Warranty
See daytonaudio.com for details



daytonaudio.com
tel + 937.743.8248
info@daytonaudio.com

705 Pleasant Valley Dr.
Springboro, OH 45066
USA

