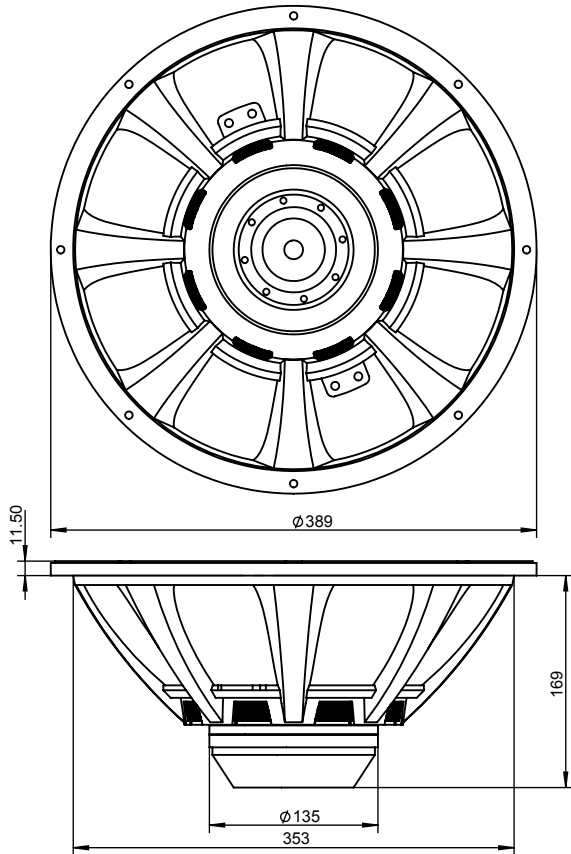




Apollo 15N 15" Professional Neodymium Midbass Woofer 8 Ohm
15MB500N-8



PARAMETERS

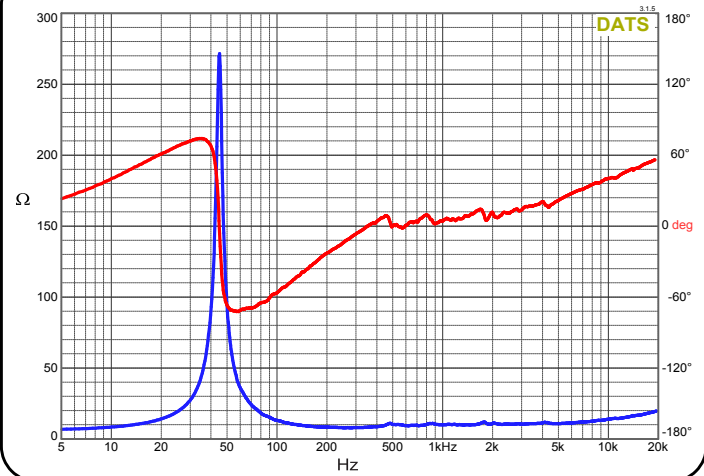
Impedance	8 ohms
Re	5.8 ohms
Le	0.14 mH @ 1kHz
Fs	44 Hz
Qms	10.47
Qes	0.34
Qts	0.33
Mms	93.39 g
Cms	0.142 mm/N
Sd	844.53 cm ²
Vd	548.4 cm ³
BL	20.96 Tm
Vas	154.7 liters
Xmax	6.55 mm *
Magnetic Gap Height	8 mm
VC Diameter	3"
VC Winding Height	16 mm
SPL	98.6 dB @ 2.83V/1m
RMS Power Handling	500 watts
Usable Frequency Range	40Hz-4.5kHz

*Klippel verified

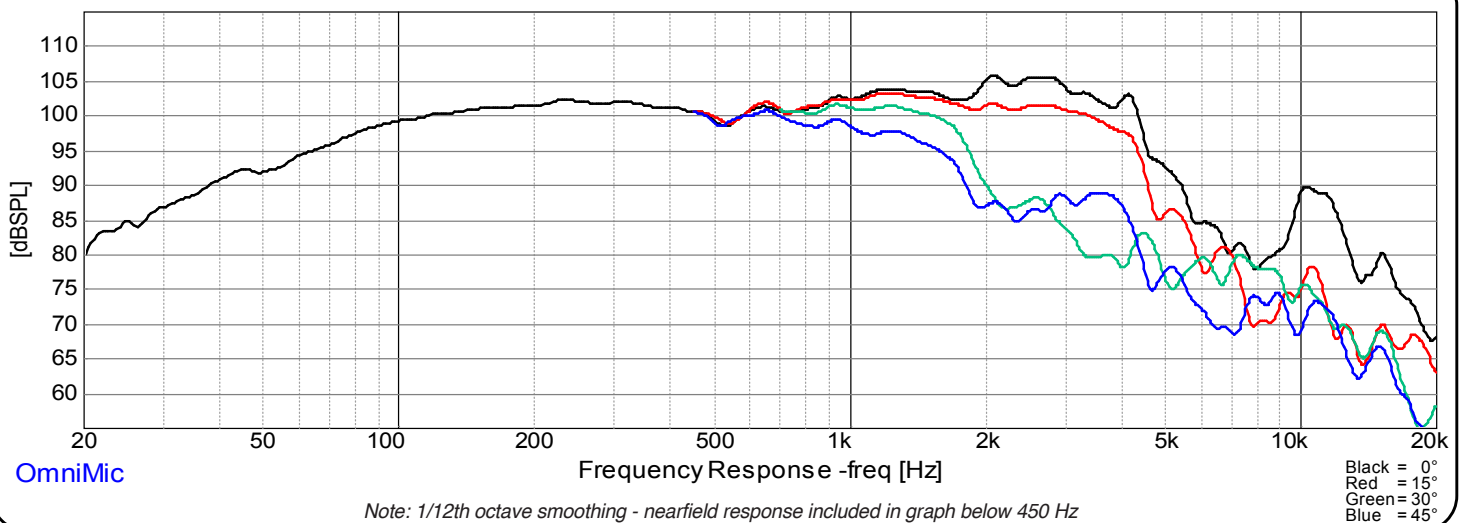
FEATURES

- Powerful neodymium motor for superior output
- Copper inductance cap for low distortion
- Paper cone and cloth m-roll surround for high clarity, smooth response, and linear excursion for pounds of punch
- 3" Inside/outside wound copper voice coil on fiberglass former lends solid power handling capability
- Under spider and rear periphery venting allow for a cooler running voice coil
- Low Qts means high damping and smaller boxes

IMPEDANCE/PHASE



FREQUENCY RESPONSE



OmniMic

Note: 1/12th octave smoothing - nearfield response included in graph below 450 Hz

Black = 0°
Red = 15°
Green = 30°
Blue = 45°