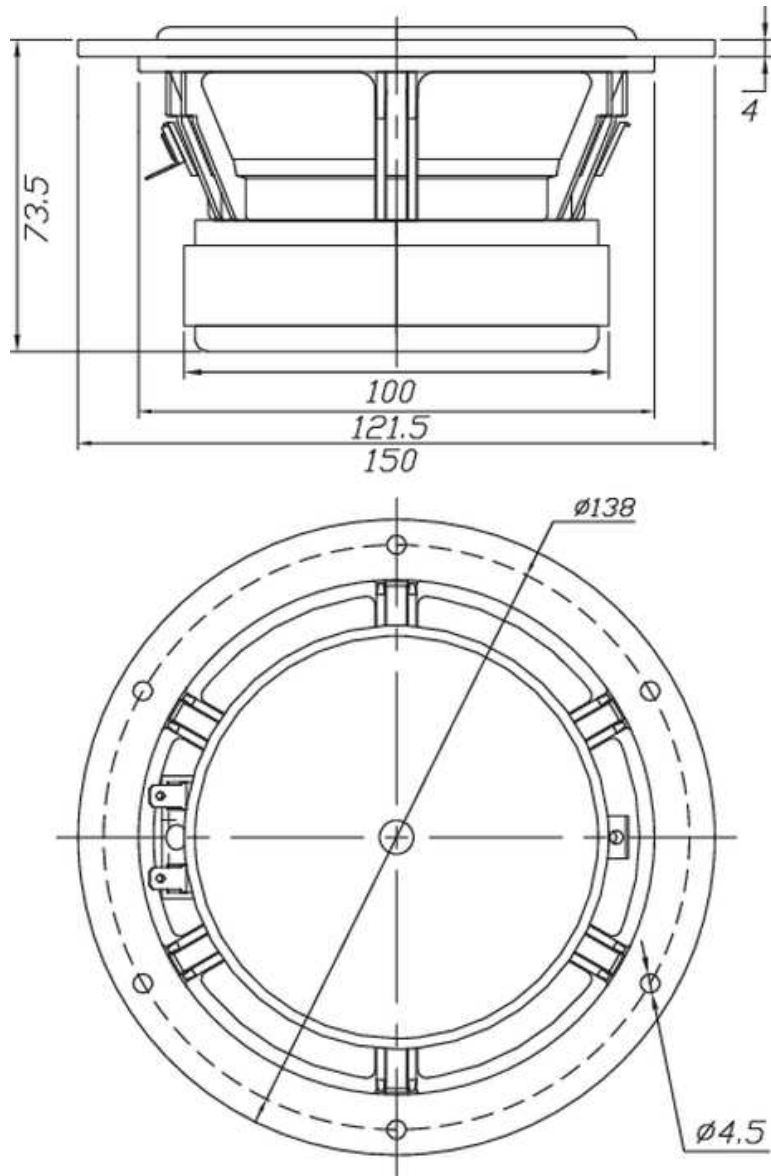




RS150P-8A 6" Reference Paper Woofer 8 Ohm

RS150P-8A



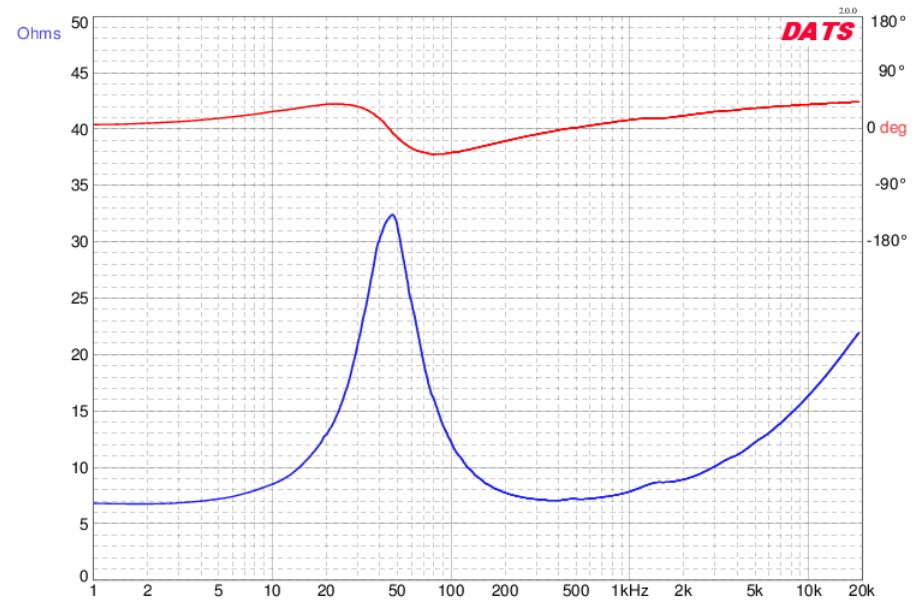
PARAMETERS

| | |
|-----------------------------|----------------------|
| Impedance | 8 ohms |
| Re | 6.7 ohms |
| Le | 0.65 mH @ 1 kHz |
| Fs | 47.1 Hz |
| Qms | 1.66 |
| Qes | 0.43 |
| Qts | 0.34 |
| Mms | 6.9g |
| Cms | 1.65 mm/N |
| Sd | 85.0 cm ² |
| Vd | 34.0 cm ³ |
| BL | 5.6 Tm |
| Vas | 16.7 liters |
| Xmax | 4 mm |
| VC Diameter | 25 mm |
| SPL | 88.7 dB 2.83V/1m |
| RMS Power Handling | 40 watts |
| Usable Frequency Range (Hz) | 49 - 10,000 Hz |

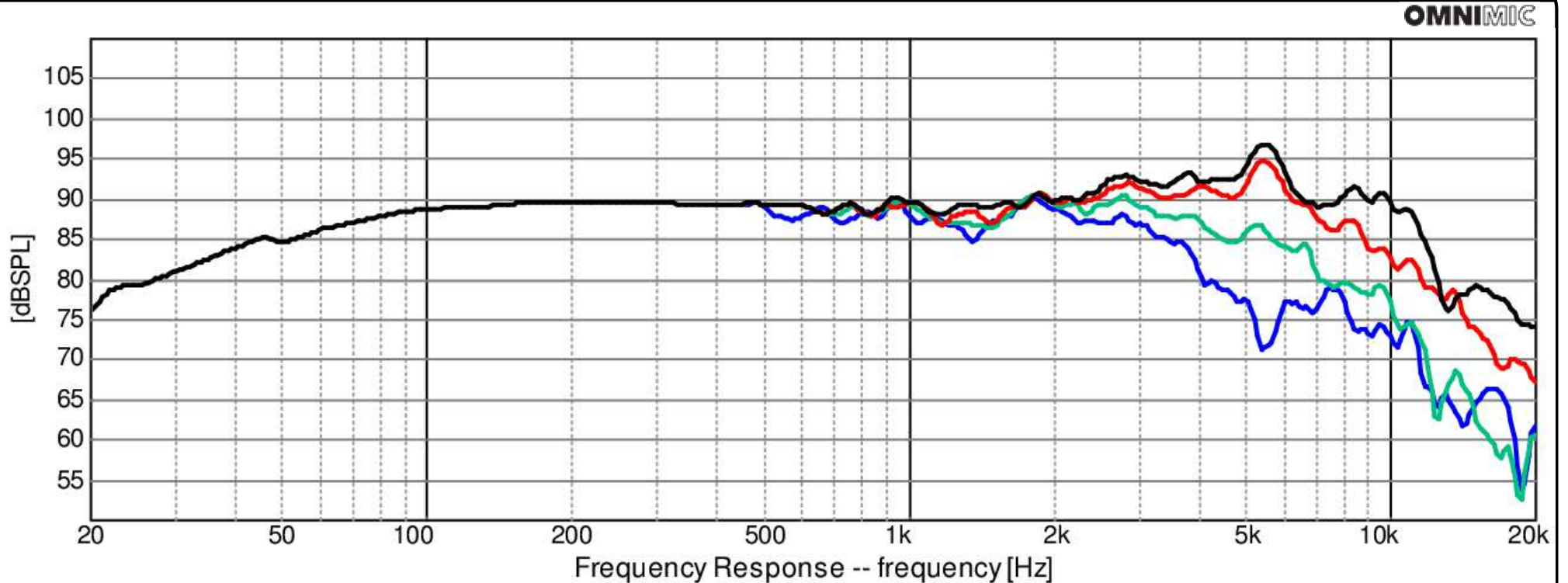
FEATURES

- Three-part paper composite diaphragm featuring paper, Kevlar, and glass fibers
- Low-distortion motor, 6-hole cast frame, rubber surround, and solid aluminum phase plug
- Perfect for use as a woofer, midwoofer, or dedicated midrange driver
- 88.7 dB sensitivity and 4 mm of excursion

IMPEDANCE/PHASE



FREQUENCY RESPONSE



OmniMic

Note: 1/24th octave smoothing - nearfield response included in graph below 450 Hz.

Black = 0°
Red = 15°
Green = 30°
Blue = 45°