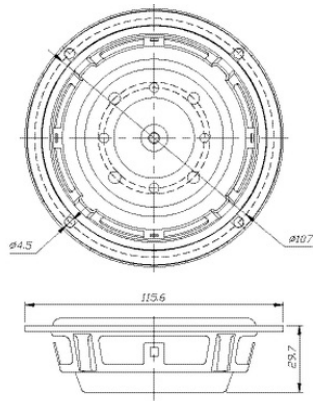




DSA115-PR 4" Designer Series Aluminum Cone Passive Radiator



FEATURES

- Cosmetic frame edge looks great even when surface mounted
- Rear mounted screw allows easy mass adjustment for custom tuning
- Allows tuning small enclosures lower than using conventional ports
- Perfect match for Dayton Audio's aluminum cone Designer Series drivers

PARAMETERS

Fs	30.9 Hz
Qms	3.48
Mms	11.7g
Cms	2.27 mm/N
Sd	54.1 cm ²
Vd	32.5 cm ³
Vas	9.4 liters
Xmax	6 mm
Rms	0.7 kg/s

Note: Parameters above are for the passive only with no additional mass added.