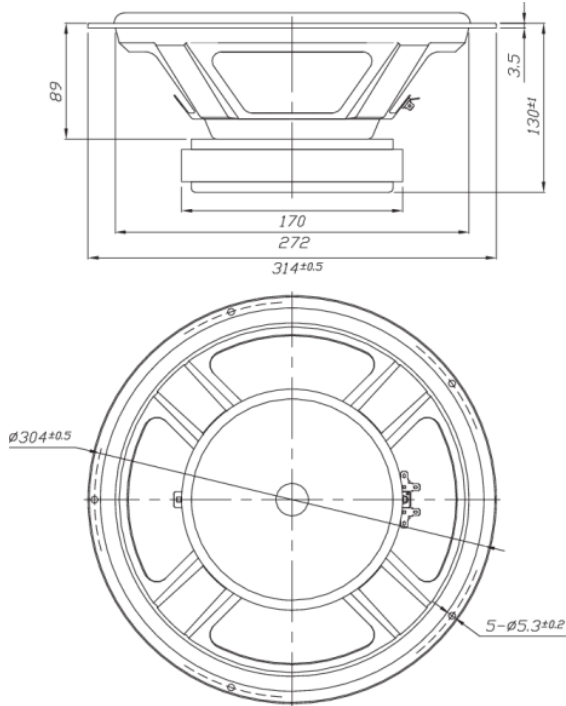




# DSA315-8 12" Designer Series Aluminum Cone Woofer 8 Ohm

DSA315-8



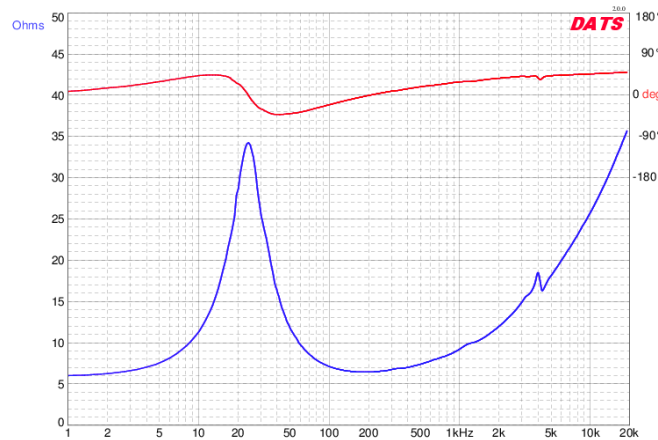
## FEATURES

- Cosmetic frame with low profile lip, designed for front mounting—no countersinking required!
- Low distortion motor system with copper shorting ring
- Black anodized aluminum cone, half roll rubber surround for durability and accurate reproduction
- Optimized to yield the smallest possible box volume and lowest 3 dB down point
- Smooth frequency response and linear roll-off simplify filter design, guaranteeing good results with off-the-shelf crossovers

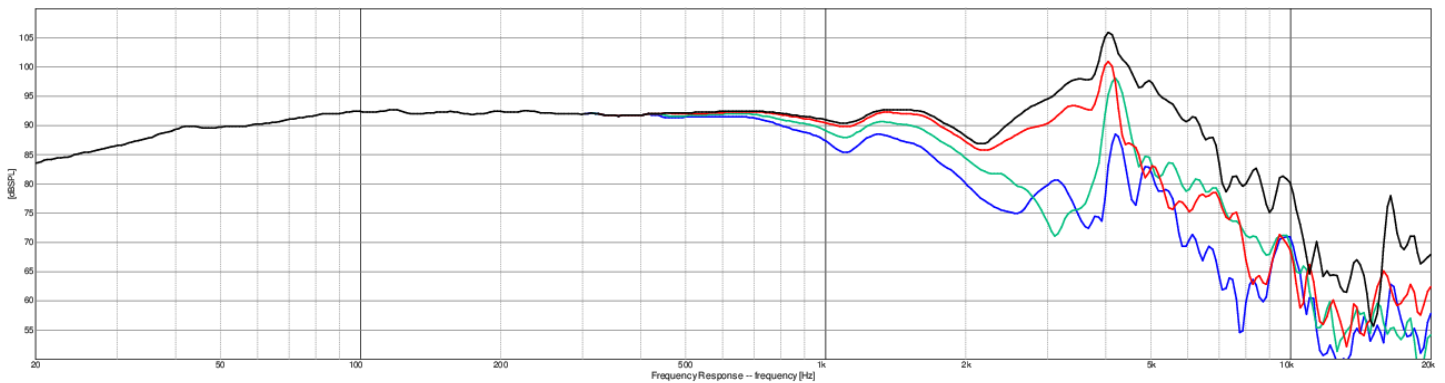
## PARAMETERS

Impedance	8 ohms
Re	6 ohms
Le	1.11 mH @ 1 kHz
Fs	24.23 Hz
Qms	1.89
Qes	0.40
Qts	0.33
Mms	113.1g
Cms	0.38 mm/N
Sd	506.7 cm <sup>2</sup>
Vd	276.7 cm <sup>3</sup>
BL	16.1 Tm
Vas	147 liters
Xmax	5.5 mm
VC Diameter	49.5 mm
SPL	90.3 dB @ 2.83V/1m
RMS Power Handling	120 watts
Usable Frequency Range (Hz)	24 - 2,000 Hz

## IMPEDANCE/PHASE



## FREQUENCY RESPONSE



Note: 1/24<sup>th</sup> octave smoothing - nearfield response included in graph below 450 Hz.

Black = 0°  
Red = 15°  
Green = 30°  
Blue = 45°