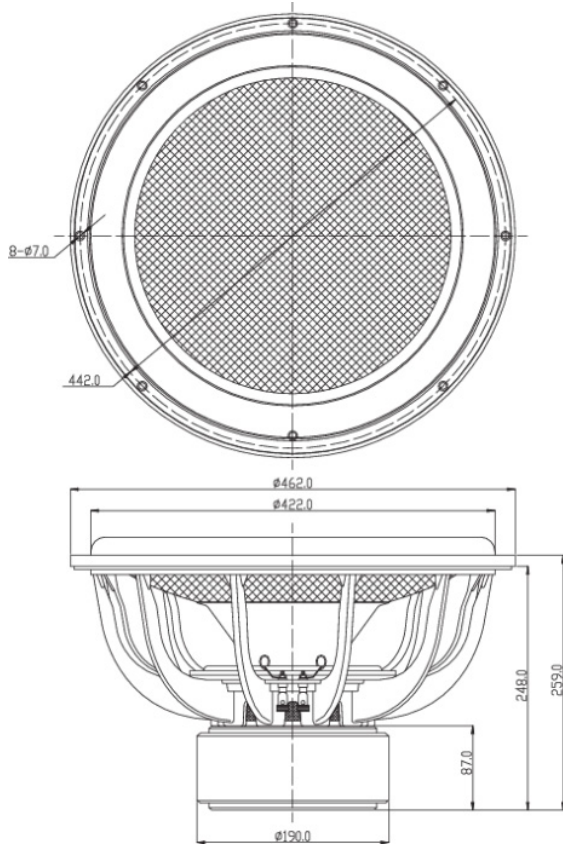




UM18-22 18" Ultimax DVC Subwoofer 2 Ohms Per Coil

UM18-22



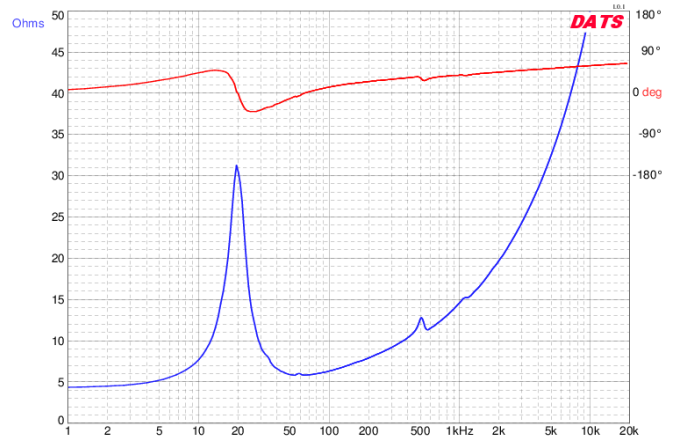
PARAMETERS

Impedance	4 ohms
Re	4.4 ohms
Le	2.22 mH @ 1 kHz
Fs	19.5 Hz
Qms	3.82
Qes	0.62
Qts	0.53
Mms	655g
Cms	0.1 mm/N
Sd	1,219 cm ²
Vd	2,681.8 cm ³
BL	23.8 Tm
Vas	212 liters
Xmax	22 mm
VC Diameter	75 mm
SPL	88.6 dB @ 2.83V/1m
RMS Power Handling	1000 watts
Usable Frequency Range (Hz)	19 - 500 Hz

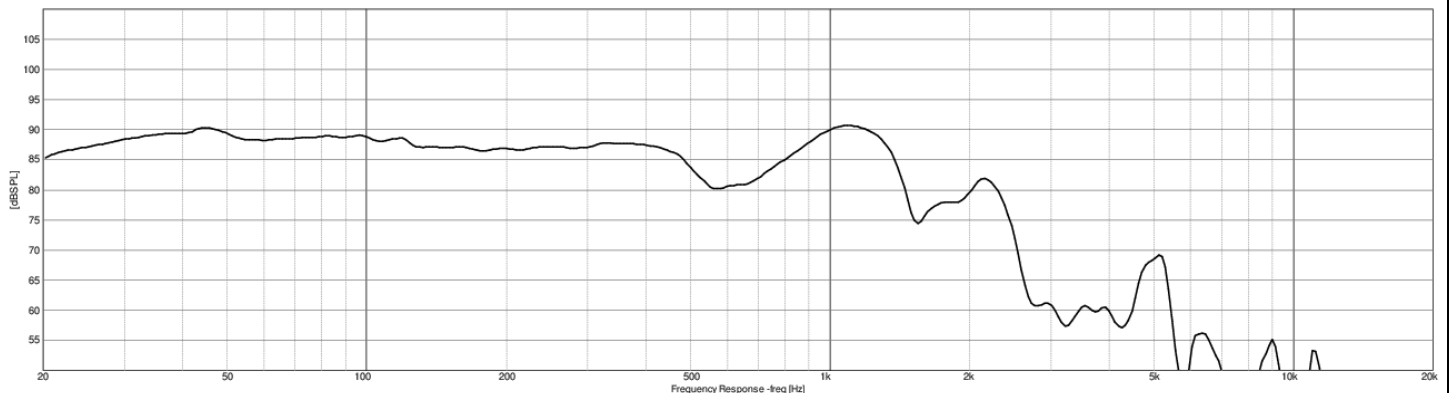
FEATURES

- 18" design for enormous air movement
- Over 2" of total cone travel!
- 1000 watts RMS power handling
- Dual mirror-imaged linear spiders ensure distortion-free excursion
- Dual 2 ohm, 2-layer copper voice coils

IMPEDANCE/PHASE



FREQUENCY RESPONSE



Note: 124th octave smoothing - nearfield response included in graph below 450 Hz.

Black = 0°

Note: All parameters derived with voice coils wired in series