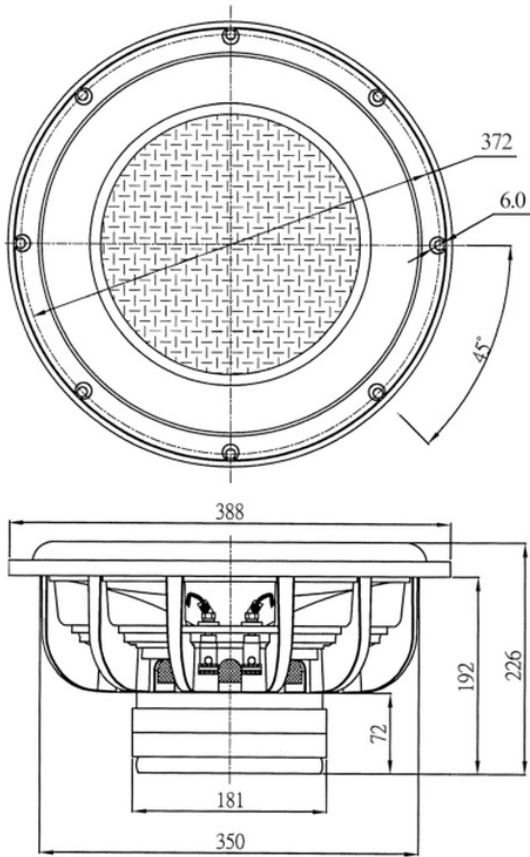




# UM15-22 15" Ultimax DVC Subwoofer 2 ohm Per Coil

UM15-22



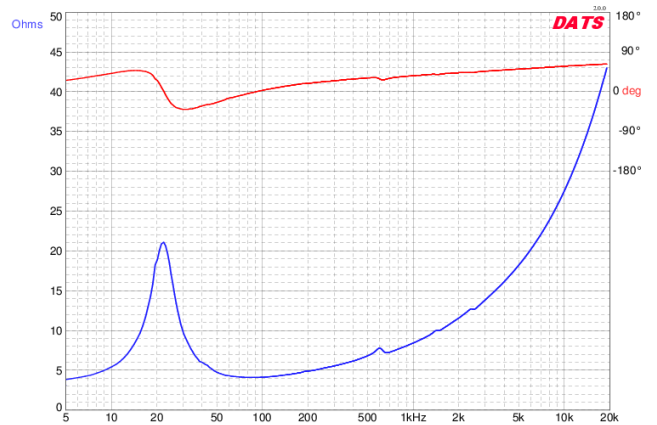
## PARAMETERS

Impedance	4 ohms
Re	3.4 ohms
Le	1.31 mH
Fs	19.5 Hz
Qms	2.40
Qes	0.59
Qts	0.47
Mms	279.4 g
Cms	0.24 mm/N
Sd	814.6 cm <sup>2</sup>
Vd	1,548 cm <sup>3</sup>
BL	15.4 Tm
Vas	224.3 liters
Xmax	19 mm
VC Diameter	63.5 mm
SPL	86.5 dB @ 2.83V/1m
RMS Power Handling	800 watts
Usable Frequency Range (Hz)	15 - 1,000 Hz

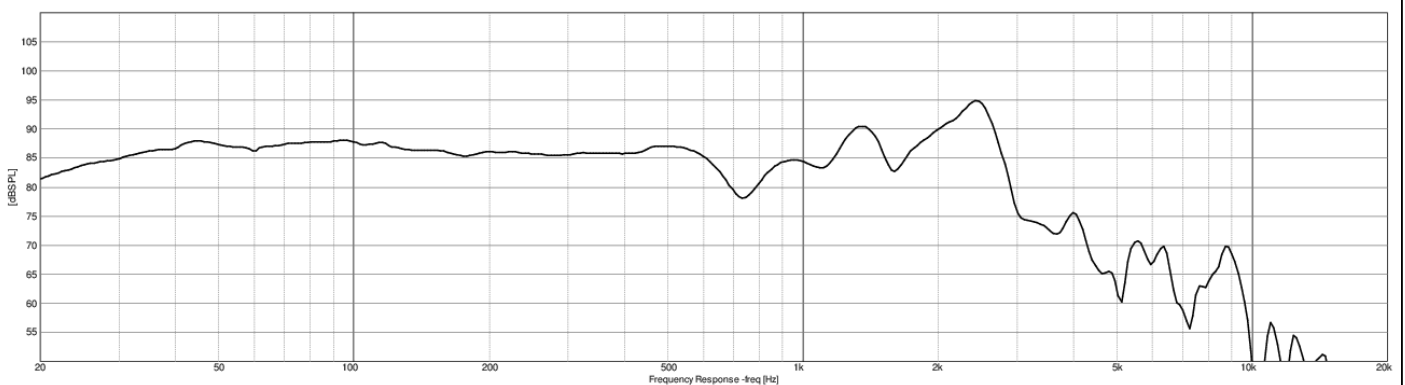
## FEATURES

- Sweeps massive amounts of air!
- Over 1-1/2" of total cone travel
- 800 watts RMS power handling
- The latest in subwoofer technology
- Dual linear stiffness spiders limit distortion and rocking modes

## IMPEDANCE/PHASE



## FREQUENCY RESPONSE



Note: 124<sup>th</sup> octave smoothing - nearfield response included in graph below 450 Hz.

Black = 0°

Note: All parameters derived with voice coils wired in series