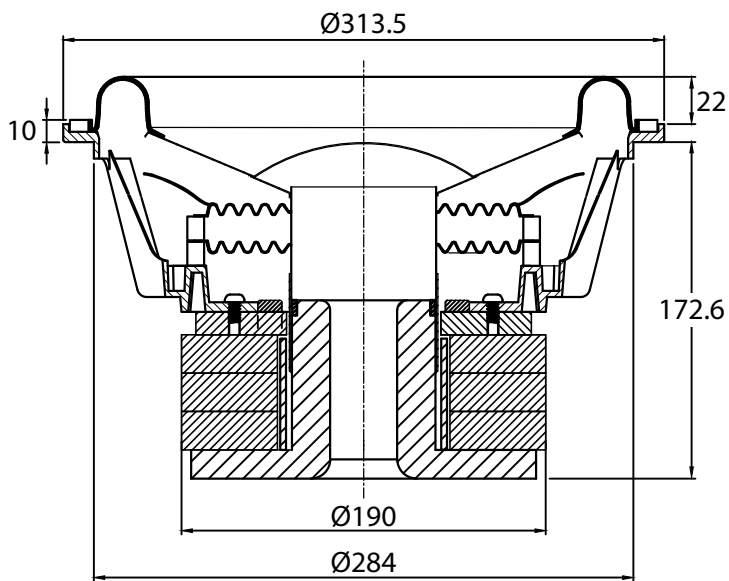




12" Reference Series High Excursion Subwoofer 2+2 ohm

RSS315HE-22



PARAMETERS

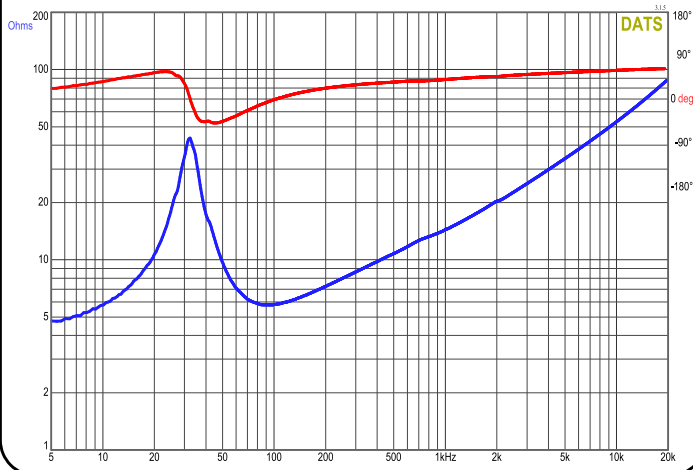
Impedance	2+2 ohms
Re	4.1 ohms
Le	2.2 mH
Fs	32 Hz
Qms	4.80
Qes	0.51
Qts	0.46
Mms	263 g
Cms	0.09 mm/N
Sd	499 cm ²
Vd	1247 cm ³
BL	20.9 Tm
Vas	32.4 liters
Xmax	25 mm*
VC Diameter	76.5 mm
SPL	88.1 @ 2.83V/1m
RMS Power Handling	800 watts
Usable Frequency Range	25 - 750 Hz

$$* X_{max} = \left[\frac{\text{Voice Coil Length} - \text{Top Plate Height}}{2} \right] + \frac{1}{3} \text{ Top Plate Height}$$

FEATURES

- Designed for small enclosures
- Copper ring and thick aluminum sleeve provide ultra-low distortion
- Large 3" diameter voice coil wound on a spiral cut aluminum former
- Thick anodized aluminum cone and dustcap improves rigidity and heat dissipation
- Optimized venting for maximum airflow for extremely quiet operation
- Dual spiders and high roll surround for linear high displacement
- Dual 2 ohm voice coils allow various wiring options

IMPEDANCE/PHASE



FREQUENCY RESPONSE

