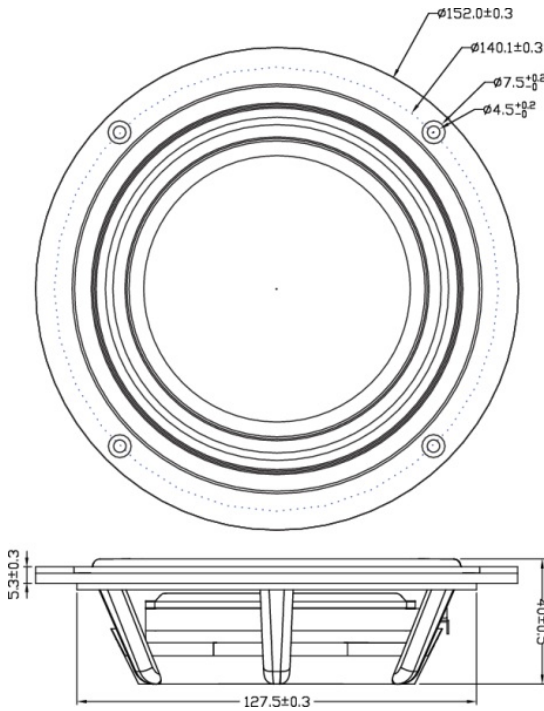




# LW150-4 6" Low Profile Woofer 4 Ohms

LW150-4



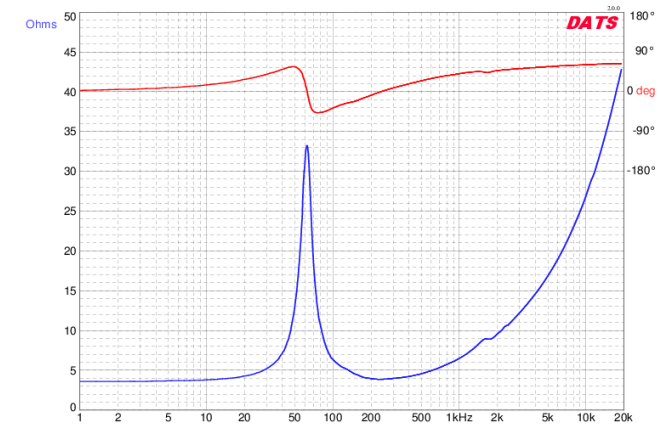
## PARAMETERS

|                             |                      |
|-----------------------------|----------------------|
| Impedance                   | 4 ohms               |
| Re                          | 3.6 ohms             |
| Le                          | 0.86 mH @ 1 kHz      |
| Fs                          | 62.6 Hz              |
| Qms                         | 6.01                 |
| Qes                         | 0.72                 |
| Qts                         | 0.64                 |
| Mms                         | 21.9g                |
| Cms                         | 0.3 mm/N             |
| Sd                          | 91.6 cm <sup>2</sup> |
| Vd                          | 36.6 cm <sup>3</sup> |
| BL                          | 6.52 Tm              |
| Vas                         | 3.49 liters          |
| Xmax                        | 4 mm                 |
| VC Diameter                 | 31.8 mm              |
| SPL                         | 86.1 dB @ 2.83V/1m   |
| RMS Power Handling          | 40 watts             |
| Usable Frequency Range (Hz) | 60 - 1,800 Hz        |

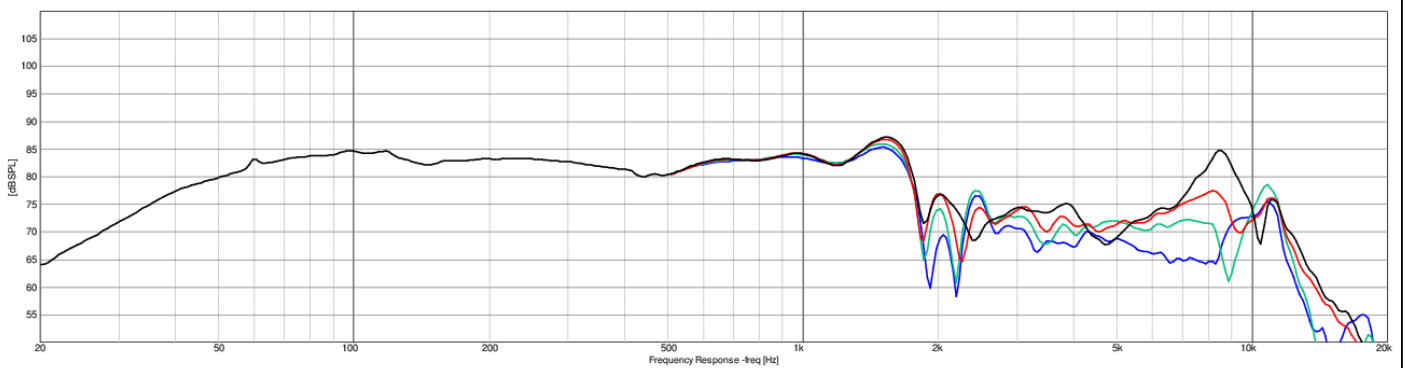
## FEATURES

- Very low profile woofer fits in tight spots
- Flat woven glass-fiber/honeycomb aluminum composite cone
- Dual sandwiched spiders and S-shaped surround enhance linear travel capability
- Large 1-1/4" 4-layer voice coil and optimized T-pole gap geometry
- Peripheral holes in spider landing enable zero-clearance venting in shallow enclosures

## IMPEDANCE/PHASE



## FREQUENCY RESPONSE



Note: 1/24<sup>th</sup> octave smoothing - nearfield response included in graph below 450 Hz.

Black = 0°  
Red = 15°  
Green = 30°  
Blue = 45°