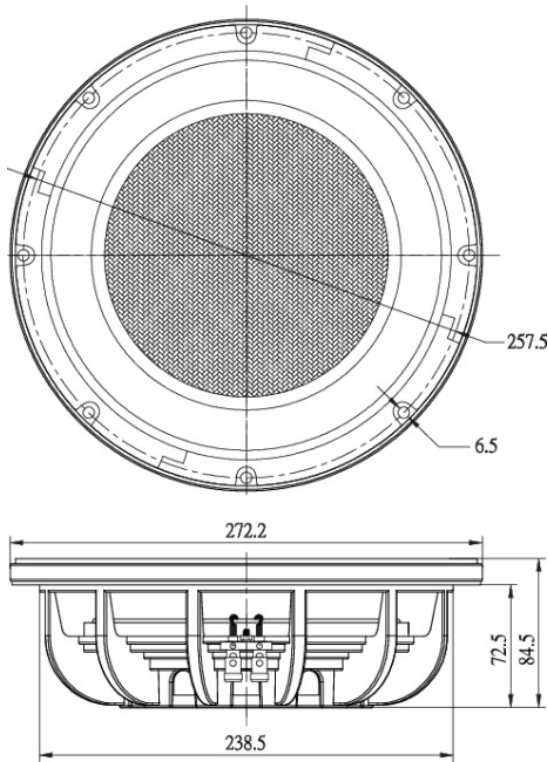




LS10-44 10" Low Profile Subwoofer Dual 4 Ohm

LS10-44



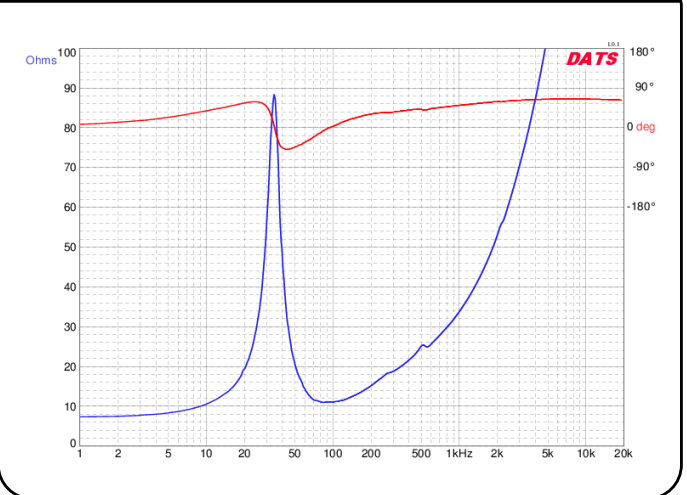
FEATURES

- Innovative low-profile subwoofer — less than 3.8" thick!
- 10mm Xmax for uncompromised bass performance
- Dual 4 ohm voice coils, 6 layers total
- Rigid flat honeycomb fiberglass cone
- Low distortion ferrite motor with dual aluminum shorting rings

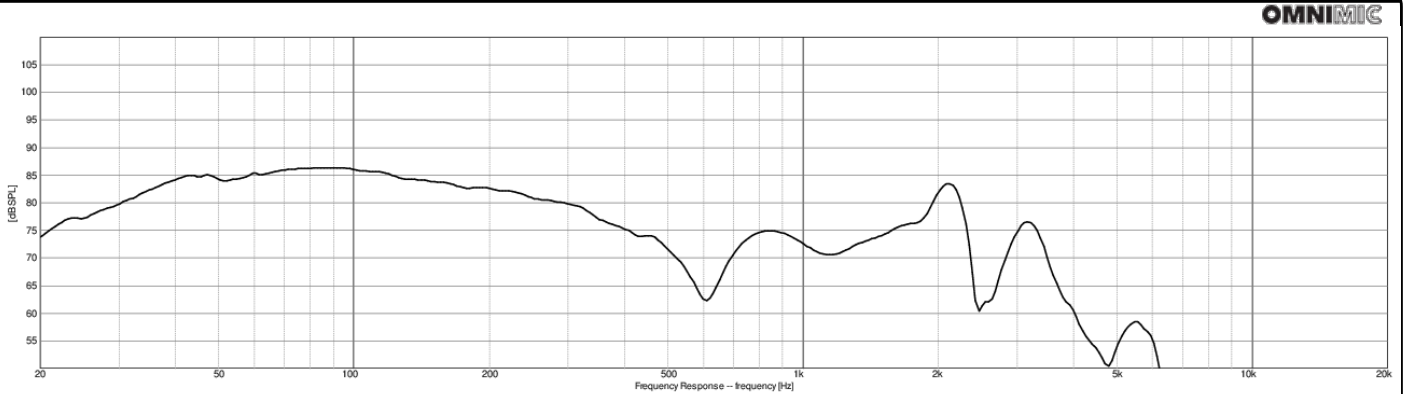
PARAMETERS

| | |
|-----------------------------|-----------------------|
| Impedance | 4+4 ohms |
| Re | 7.4 ohms |
| Le | 5.25 mH @ 1 kHz |
| Fs | 34.3 Hz |
| Qms | 5.15 |
| Qes | 0.47 |
| Qts | 0.43 |
| Mms | 132g |
| Cms | 0.16 mm/N |
| Sd | 366.4 cm ² |
| Vd | 36.4 cm ³ |
| BL | 21.1 Tm |
| Vas | 30.8 liters |
| Xmax | 10 mm |
| VC Diameter | 50 mm |
| SPL | 86.5 dB @ 2.83V/1m |
| RMS Power Handling | 250 watts |
| Usable Frequency Range (Hz) | 30 - 300 Hz |

IMPEDANCE/PHASE



FREQUENCY RESPONSE



Note: 1/24th octave smoothing - nearfield response included in graph below 450 Hz.

Black = 0°