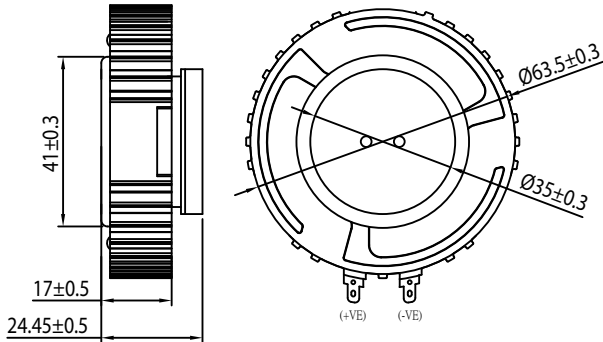
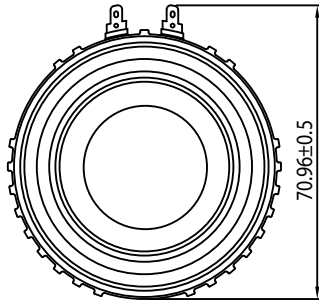




IMS™ Ultra 32mm Interchangeable Hardware Mount Exciter 20W 4 Ohm
EX32U2-4



PARAMETERS

Impedance	4 ohms
Re	3.5 ohms
Le	0.23 mH @ 1 kHz
Fs	167 Hz
Qms	N/A
Qes	N/A
Qts	2.26
Mms	N/A
Cms	N/A
Sd	N/A
Vd	N/A
BL	N/A
Vas	N/A
Xmax	N/A
VC Diameter	32 mm
SPL	N/A
RMS Power Handling	20 watts
Usable Frequency Range (Hz)	N/A

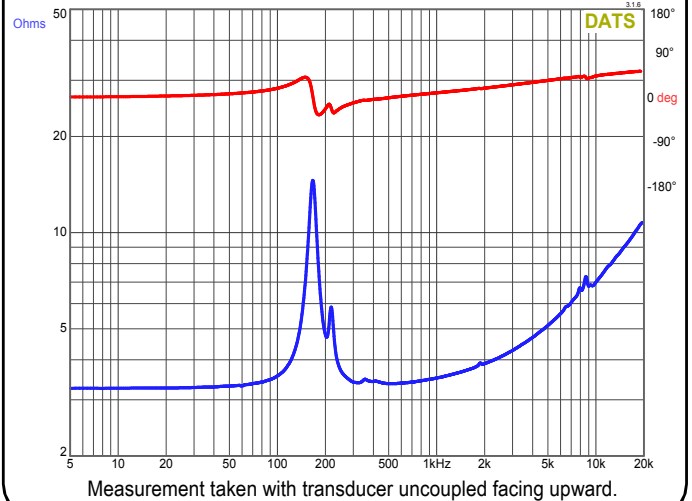
FEATURES

- Small size; just under 2" diameter
- Exclusive IMS™ Interchangeable mount allows you to A/B test different exciters
- Rare-earth neodymium motor and a proprietary two-layer voice coil
- Heavy-duty design with a 32 mm voice coil for a high 20 watt RMS power handling

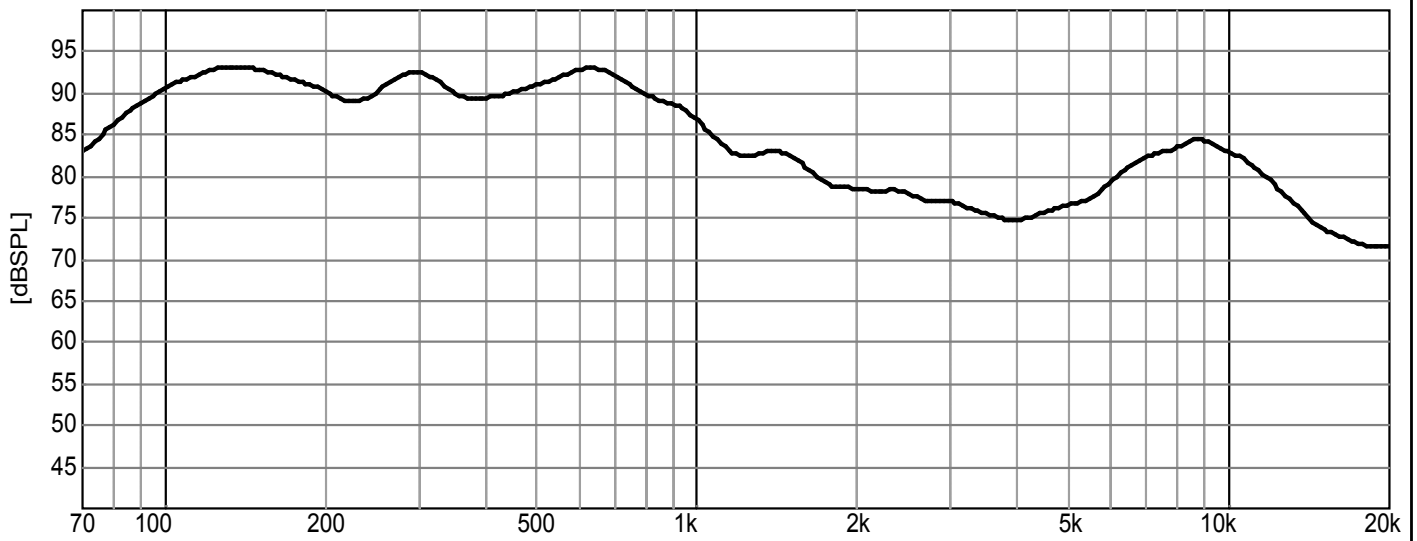
APPLICATIONS

- Electronic gaming machines
- Advertising signage
- Point-of-purchase displays
- Multimedia exhibits
- Commercial distributed audio
- Kiosks
- Automotive audio

IMPEDANCE/PHASE



FREQUENCY RESPONSE



OmniMic

Frequency Response -freq [Hz]

1/3rd octave smoothing - measurement taken with transducer adhered off-center on a 12" x 12" x 1/2" foam core board in an infinite baffle setup.

Note: This information is for comparison purposes only, the actual frequency response will depend on many factors of which the diaphragm being the greatest contributor.