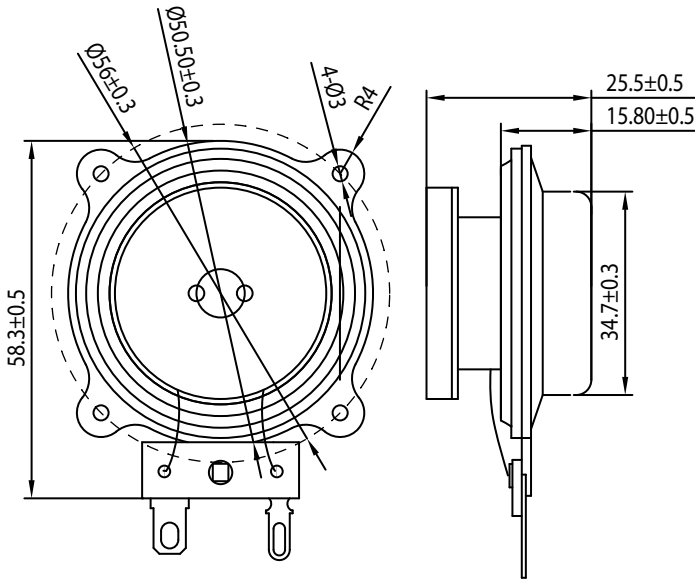




**IMS™ Framed High Efficiency 25mm Interchangeable Hardware Mount  
Exciter 24W 4 Ohm  
EX25FHE2-4**



**PARAMETERS**

Impedance	4 ohms
Re	4.3 ohms
Le	0.10 mH @ 1 kHz
Fs	115 Hz
Qms	N/A
Qes	N/A
Qts	1.28
Mms	N/A
Cms	N/A
Sd	N/A
Vd	N/A
BL	3.63 Tm
Vas	N/A
Xmax	N/A
VC Diameter	25 mm
SPL	N/A
RMS Power Handling	24 watts
Usable Frequency Range (Hz)	N/A

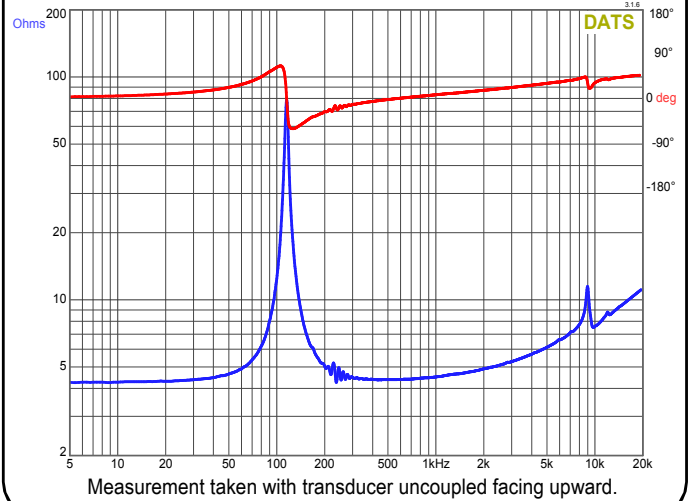
**FEATURES**

- Small size; just under 2" diameter, about 7/8" high
- Exclusive IMS™ Interchangeable mount allows you to A/B test different exciters
- Rare-earth neodymium motor and a proprietary voice coil
- 24 watt RMS power handling for high output

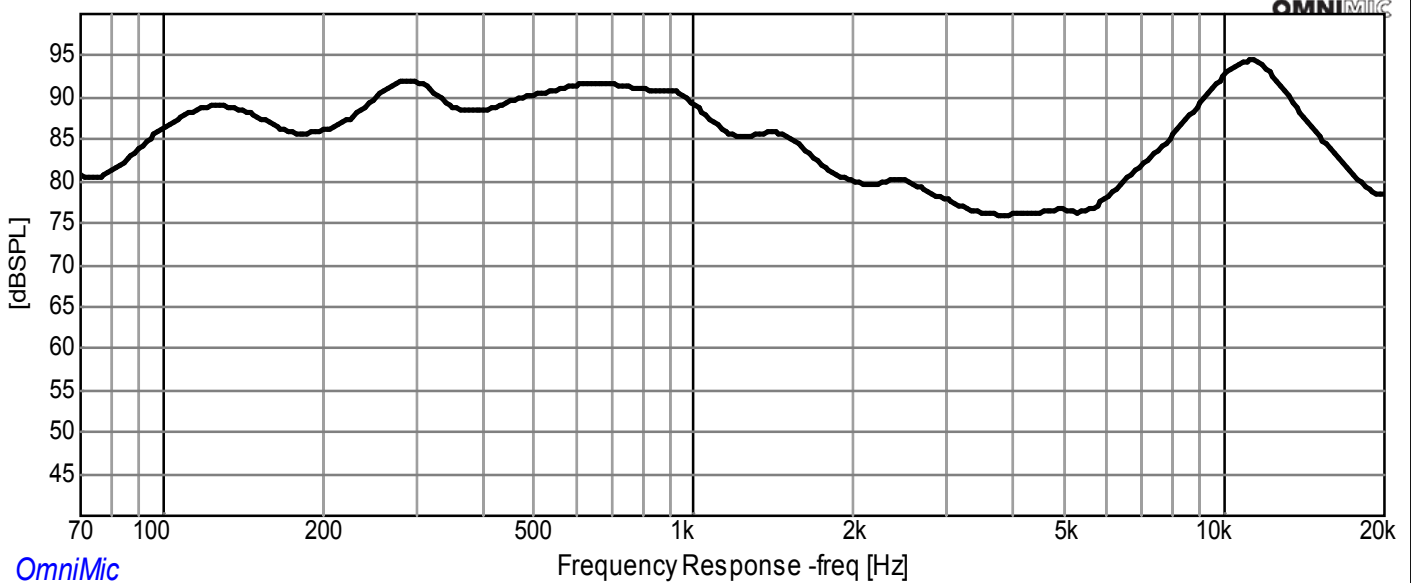
**APPLICATIONS**

- Electronic gaming machines
- Advertising signage
- Point-of-purchase displays
- Multimedia exhibits
- Commercial distributed audio
- Kiosks
- Automotive audio

**IMPEDANCE/PHASE**



**FREQUENCY RESPONSE**



OmniMic

1/3<sup>rd</sup> octave smoothing - measurement taken with transducer adhered off-center on a 12" x 12" x 1/2" foam core board in an infinite baffle setup.

Note: This information is for comparison purposes only, the actual frequency response will depend on many factors of which the diaphragm being the greatest contributor.