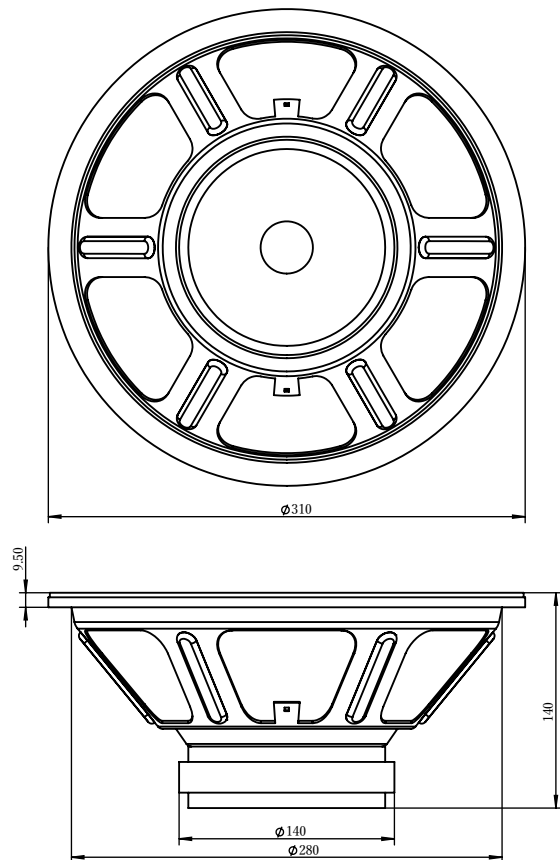




12" Pro Coaxial Woofer

PCX12-8



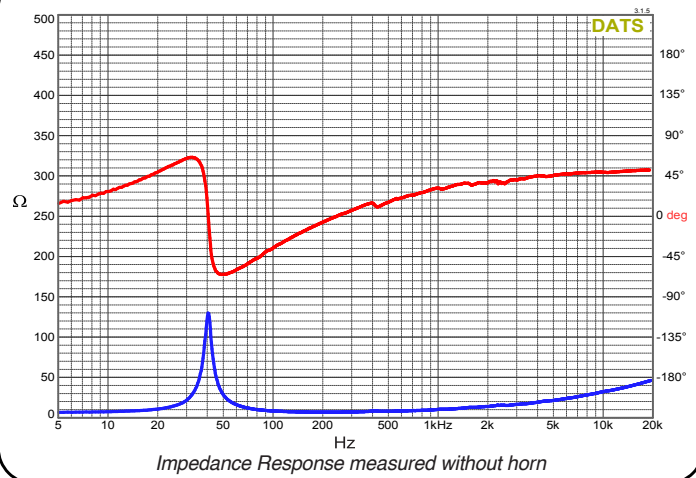
PARAMETERS

Impedance	8 ohms
Re	6.96 ohms
Le	1.19 mH @ 1kHz
Fs	40.5 Hz
Qms	10.5
Qes	0.59
Qts	0.56
Mms	31.4 g
Cms	0.491 mm/N
Sd	510.71 cm ²
Vd	102.14 cm ³
BL	9.69 Tm
Vas	180 liters
Xmax	2 mm
Magnetic Gap Height	8 mm
VC Diameter	2"
VC Winding Height	12 mm
SPL	95.5 dB @ 2.83V/1m
RMS Power Handling	200 watts
Usable Frequency Range	50Hz-5kHz (or up to 20Khz w/ tweeter)

FEATURES

- 12" professional woofer w/ coaxial capability
- Backplate includes female 1-3/8" – 18 thread for attaching high frequency driver
- Screen dust cap allows transparent high frequency reproduction
- Horn attached to pole-piece for 80deg conical dispersion from high frequency driver
- High output 95dB SPL
- Powerful 200 watt RMS capability from 2" copper voice coil
- Wide 50Hz-5kHz bandwidth for matching to most screw-on HF drivers
- Versatility for many applications (pro, home, car, instrument)

IMPEDANCE/PHASE



FREQUENCY RESPONSE

