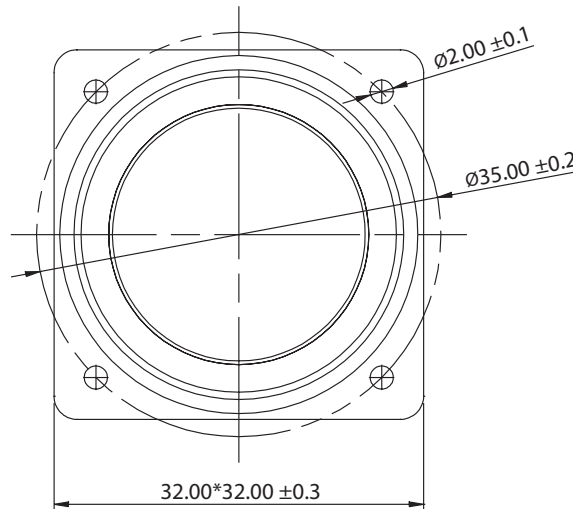
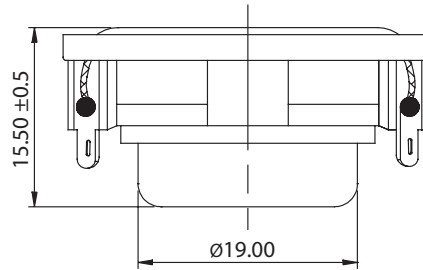


Features

- Black anodized aluminum cone
- Double neodymium magnet motor
- Rubber surround
- Molded plastic frame
- Compact design
- Conventional mounting
- Excellent sonic detail

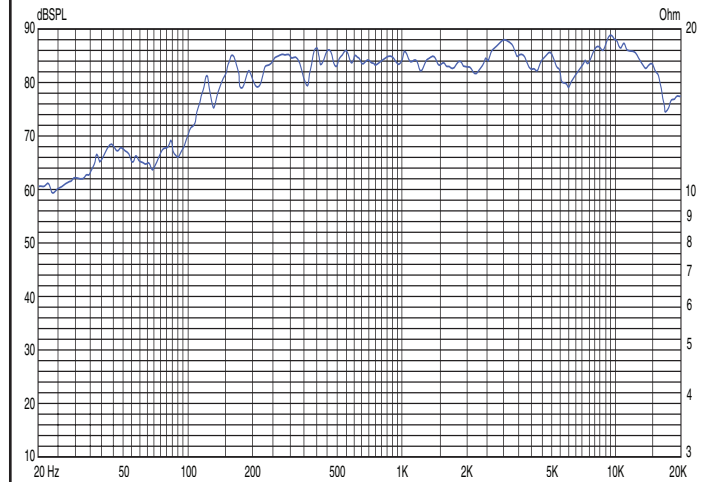
Parameters

Impedance (Ω)	4
Re (Ω)	3.57
Le (mH) @ 1 kHz	0.15
Fs (Hz)	262.1
Qms	2.86
Qes	1.24
Qts	0.86
Mms (g)	0.52
Cms (mm/N)	0.688
Sd (cm ²)	3.917
Vd (cm ³)	0.002
BL (Tm)	1.59
VAS (liters)	0.015
XMAX (mm)	0.5
VC Diameter (mm)	12.5
SPL (dB@1W/1m)	78
RMS Power Handling (w)	2.0
Usable Frequency Range (Hz)	240 - 20,000



Note: All dimensions in mm.

Frequency Response



Impedance/Phase

