

1 2 3 4 5 6 7 8

A

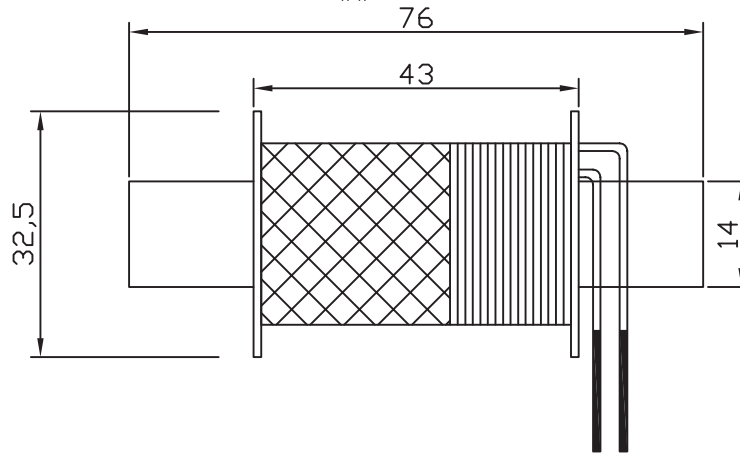
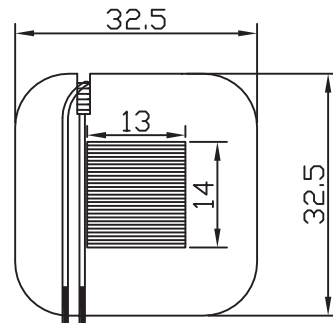
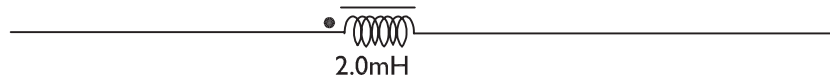
B

C

D

E

F



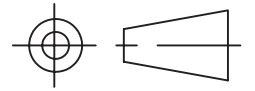
Product Specifications		
Inductance	2.0mH±3%	1KHZ 1.0V TEST
Wire Gauge	18AWG RED	
DC Resistance	0.29 Ohms ±10%	100HZ 1.0V TEST
Inductor Type	I Core	
Weight	0.192 kg	
Dimensions	32*32*43mm+176*14	
UPC	848791003004	

©Dayton Audio

daytonaudio.com

RevNo	Revision note	Date	Signature	Checked	Approved
1:					
2:					
3:					
4:					

Designed by	Checked by	Approved by	Date	Scale	Edition
AH	BM	SS	1/2017	None	
Model: IC182					Unit mm
Name: 2.0mH 18 AWG I Core Inductor					Sheet 1 of 1



1 2 3 4 5 6 7 8